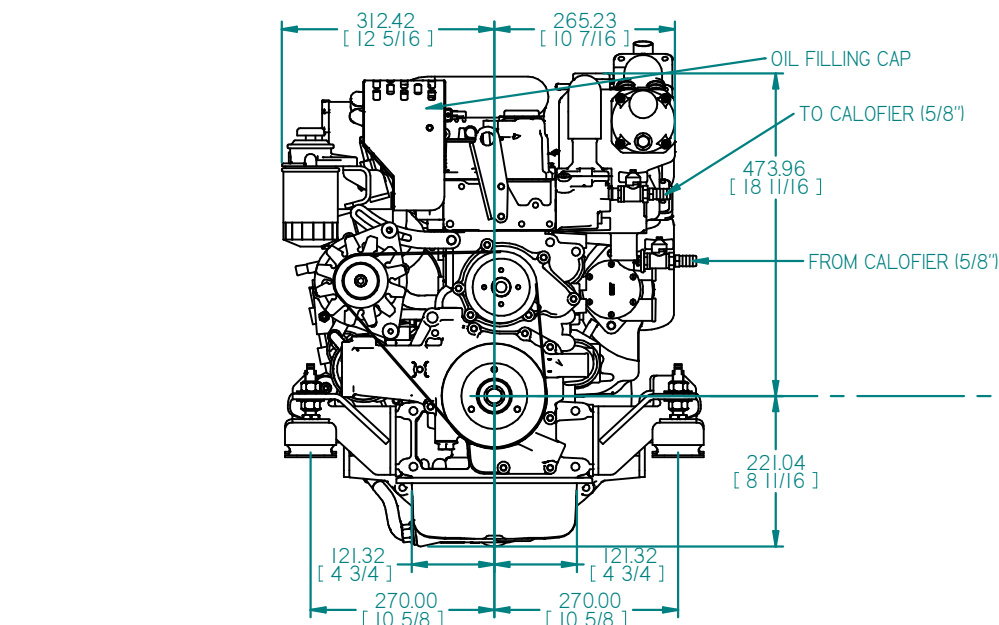
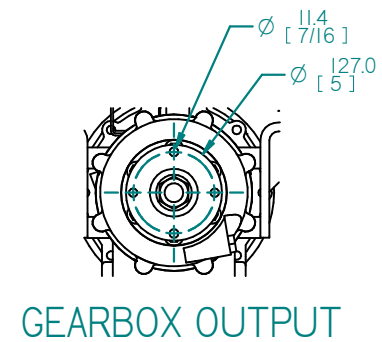
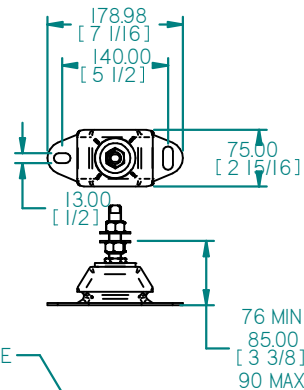
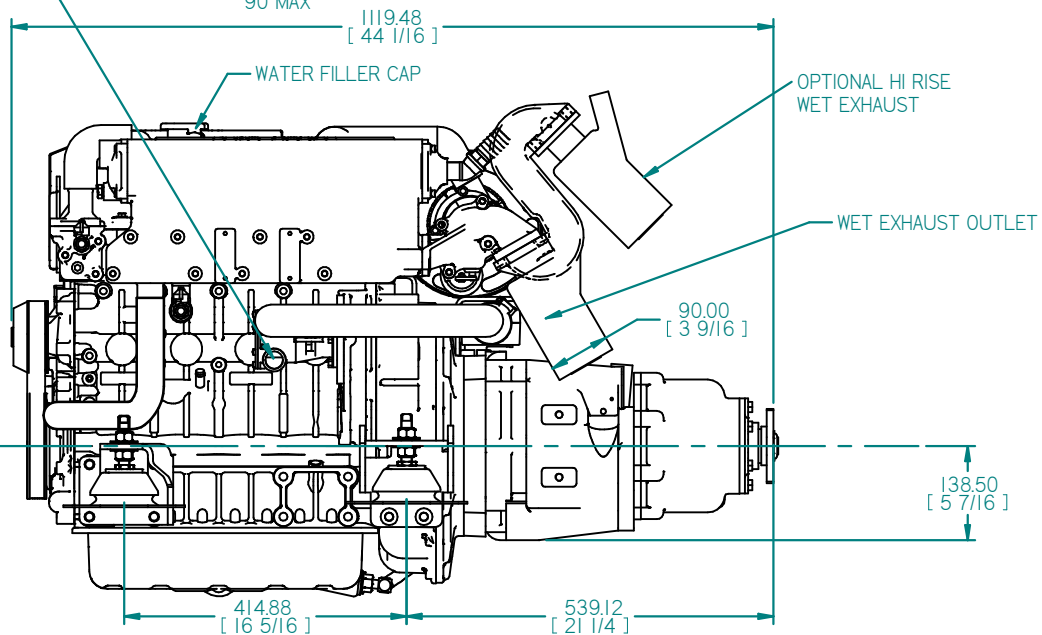


FLEXIBLE MOUNT



SEA WATER INTAKE
34MM



REV	DESCRIPTION	DATE	APP'D	DRAWN	NOTES
01					

TITLE:
**B70HE-T (US SPEC)
71C WITH REDUCTION**

DIMENSIONS IN MM (INCH) DO NOT SCALE PART FILE NAME: 100-23034 B70HE-T HE 71C NO REDUCTION US SPEC.asm

BETA MARINE

TEL: (01452) 723492 FAX: (01452) 729916

BETA MARINE LTD,
DAVY WAY,
WATERWELLS,
QUEDGELEY,
GLOUCESTER. GL2 2AD, UK

DRAWN BY: **JLT**
CHECKED BY: **TW**

SIZE **A4**
SCALE **NTS**

DWG NO: **100-23034**

REV **00**

PAGE **1 of 1** DATE **30/03/2021**