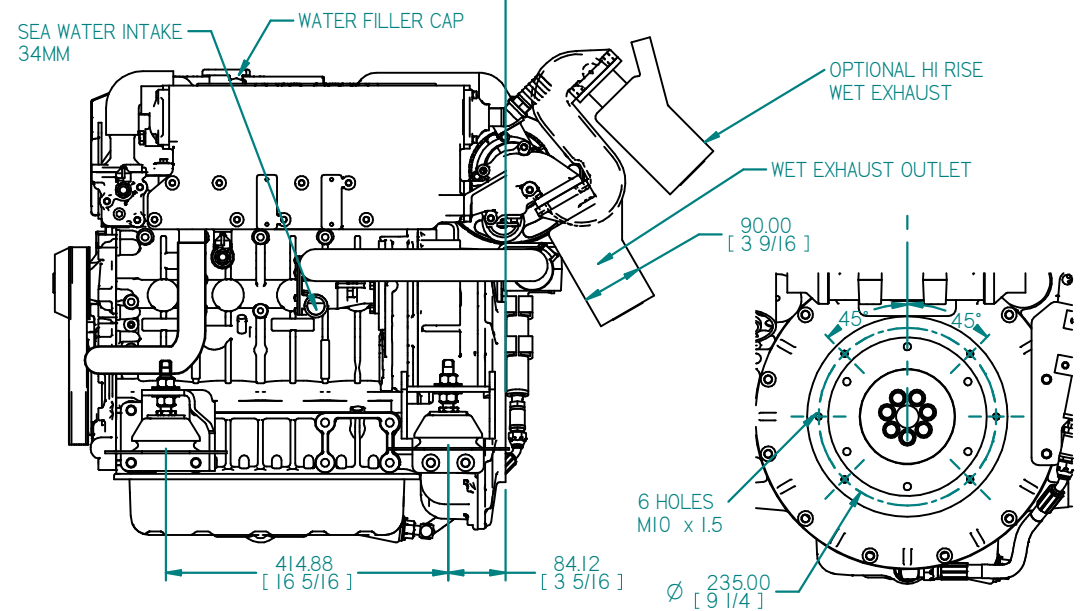
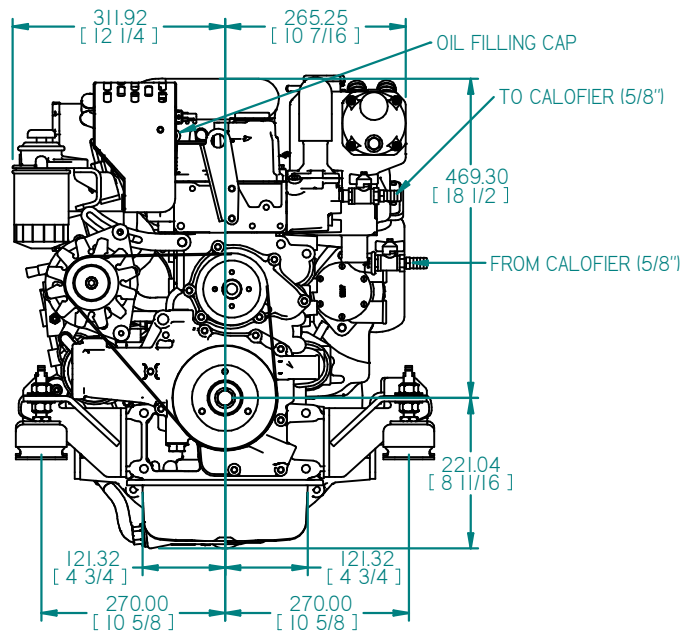
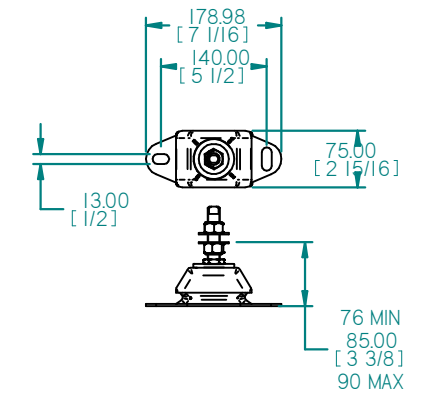


FLEXIBLE MOUNT



REV	DESCRIPTION	DATE	APP'D	DRAWN	NOTES
01					

TITLE: BETA 70HE-T (US SPEC) BOB TAIL

DIMENSIONS IN MM (INCH) DO NOT SCALE

PART FILE NAME: 100-23029 B70HE-T BOB TAIL US SPEC.asm

**BETA MARINE**

TEL: (01452) 723492 FAX: (01452) 729916

BETA MARINE LTD,  
DAVY WAY,  
WATERWELLS,  
QUEDGELEY,  
GLOUCESTER. GL2 2AD, UK

DRAWN BY: JLT  
CHECKED BY: TW

SIZE A4  
SCALE NTS

DWG NO: 100-23029  
PAGE 1 of 1

REV 00  
DATE 29/03/2021