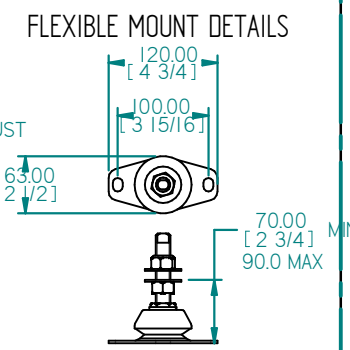
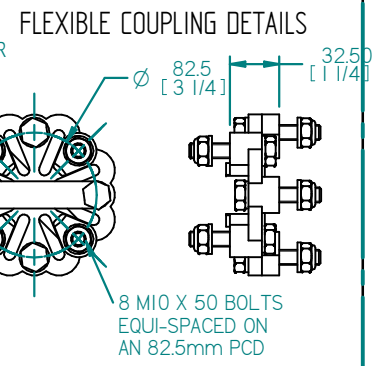
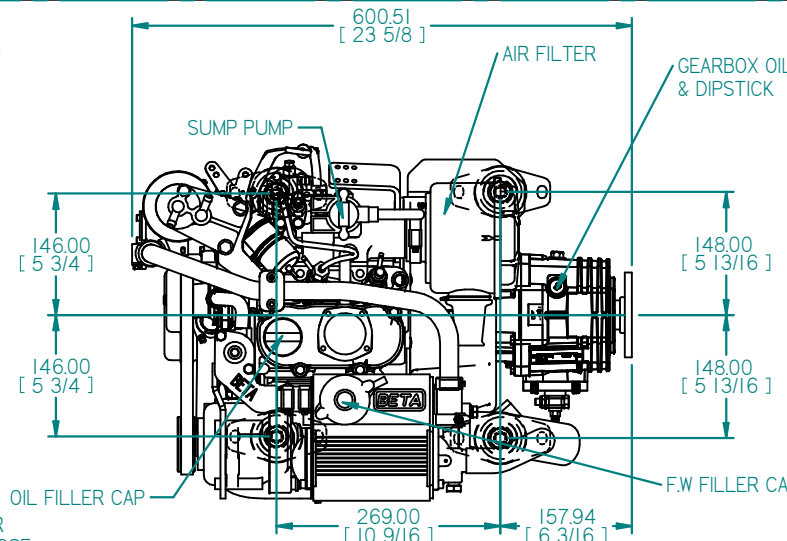
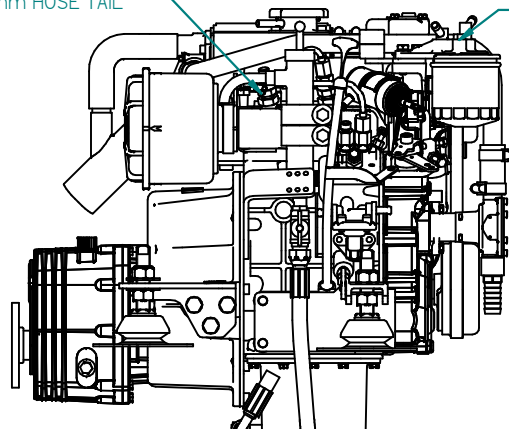


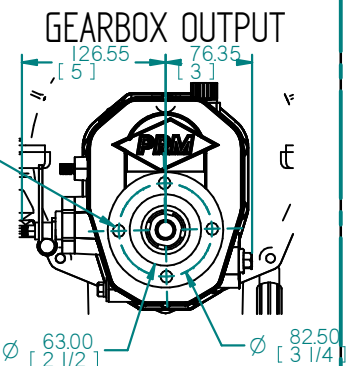
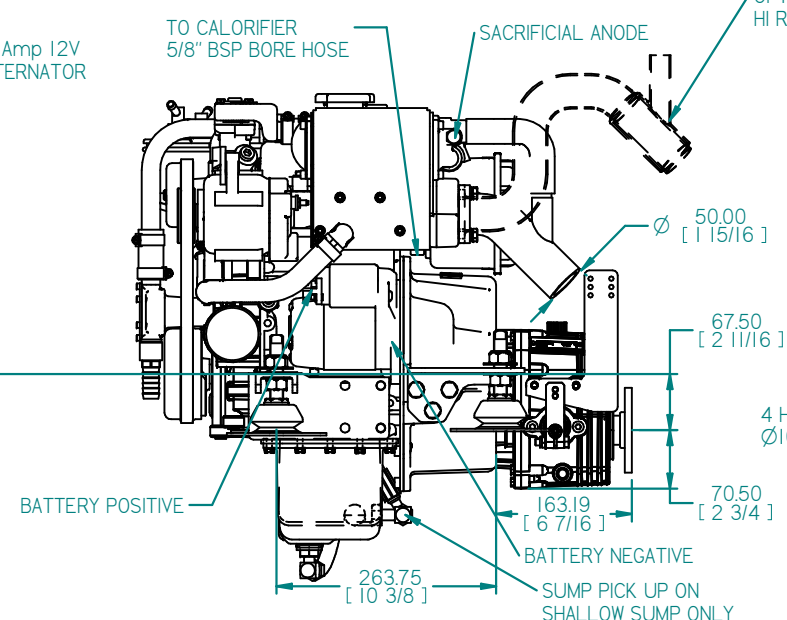
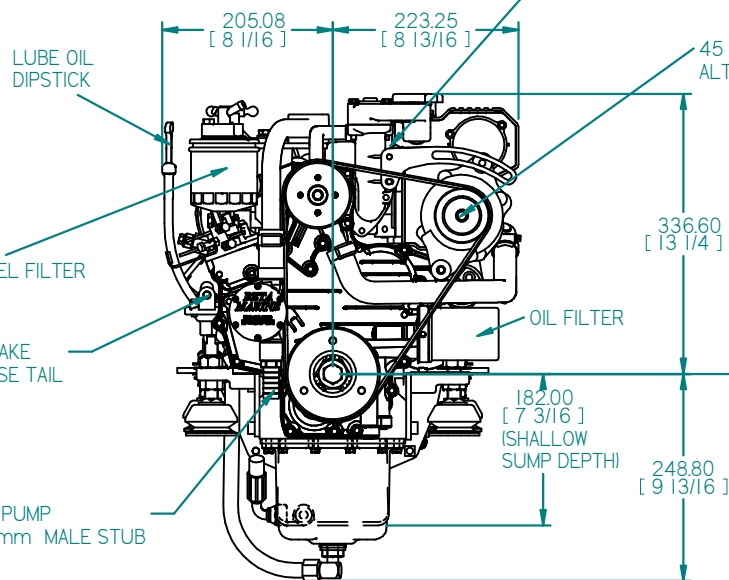
FUEL RETURN  
8mm HOSE TAIL

FUEL BLEED SCREW



FROM CALORIFIER  
5/8" BSP BORE HOSE

45 Amp 12V ALTERNATOR



REV	DESCRIPTION	DATE	APP'D	DRAWN	NOTES
01					

TITLE: **B10-14HE HEAT EXCHANGE  
PRM60 GEARBOX & ATOMIC FEET**

DIMENSIONS IN MM (INCH)  
DO NOT SCALE

PART FILE NAME: 100-20112 B10-14HE PRM60 GEARBOX ATOMIC FEET.asm

BETA MARINE  
TEL: (01452) 723492 FAX: (01452) 729916

BETA MARINE LTD,  
DAVY WAY,  
WATERWELLS,  
QUEDGELEY,  
GLOUCESTER. GL2 2AD, UK

DRAWN BY: JLT SIZE A4 DWG NO: 100-20112 REV 00  
CHECKED BY: TW SCALE NTS PAGE 1 of 1 DATE 17/05/2018